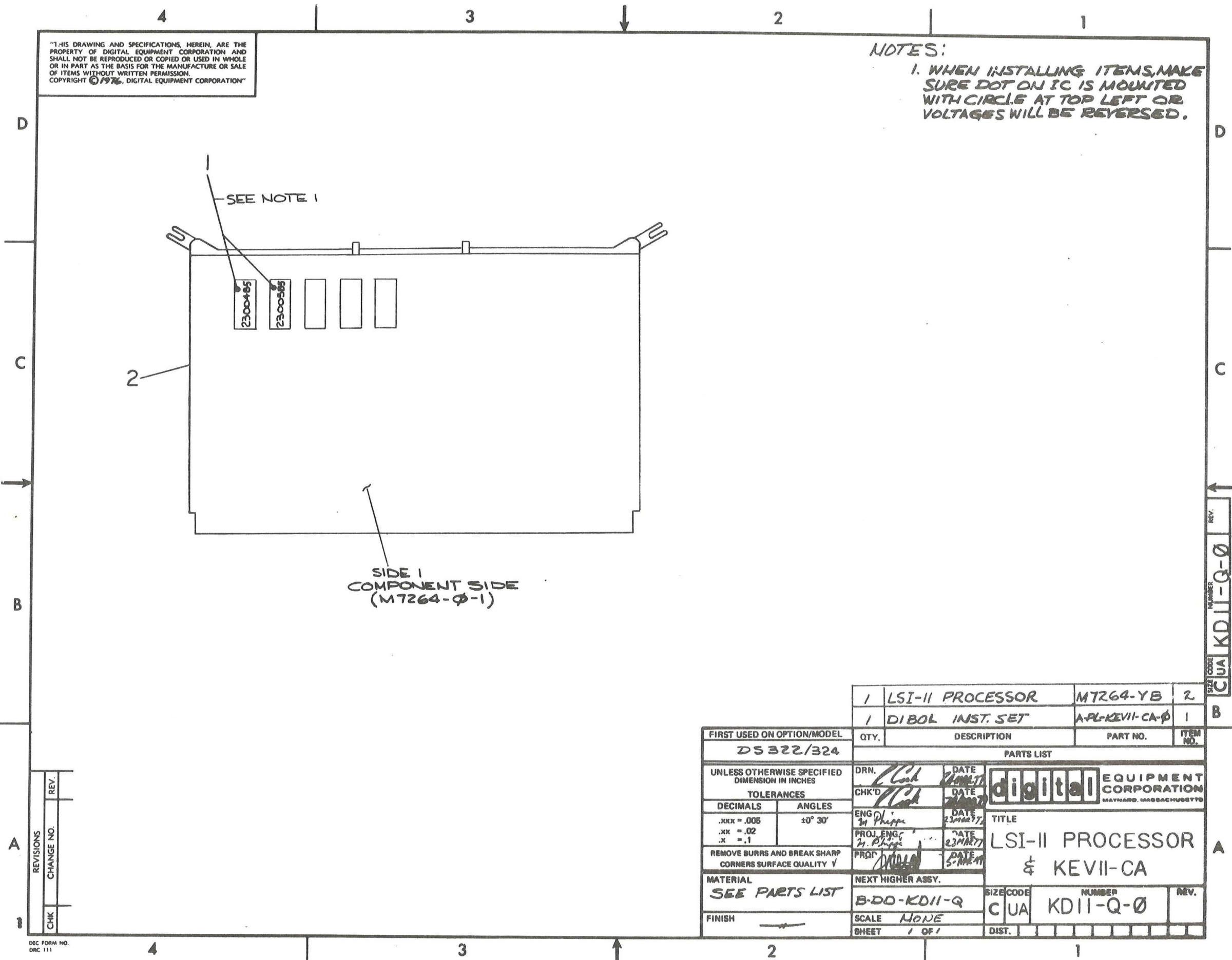


"THIS DRAWING AND SPECIFICATIONS, HEREIN, ARE THE PROPERTY OF DIGITAL EQUIPMENT CORPORATION AND SHALL NOT BE REPRODUCED OR COPIED OR USED IN WHOLE OR IN PART AS THE BASIS FOR THE MANUFACTURE OR SALE OF ITEMS WITHOUT WRITTEN PERMISSION. COPYRIGHT © 1976, DIGITAL EQUIPMENT CORPORATION"

NOTES:
 1. WHEN INSTALLING ITEMS, MAKE SURE DOT ON IC IS MOUNTED WITH CIRCLE AT TOP LEFT OR VOLTAGES WILL BE REVERSED.



REV.	
CHANGE NO.	
CHK	

1	LSI-II PROCESSOR	M7264-YB	2
1	DIBOL INST. SET	APL-KEVII-CA-Ø	1
PARTS LIST			
FIRST USED ON OPTION/MODEL	QTY.	DESCRIPTION	PART NO. ITEM NO.
DS 322/324			
UNLESS OTHERWISE SPECIFIED DIMENSION IN INCHES	DRN. <i>[Signature]</i>	DATE <i>2/24/77</i>	digital EQUIPMENT CORPORATION MAYNARD, MASSACHUSETTS
TOLERANCES	CHK'D <i>[Signature]</i>	DATE <i>2/24/77</i>	
DECIMALS .XXX = .005 .XX = .02 .X = .1	ANGLES ±0° 30'	ENG. <i>[Signature]</i>	DATE <i>2/24/77</i>
REMOVE BURRS AND BREAK SHARP CORNERS SURFACE QUALITY V	PROJ. ENG. <i>[Signature]</i>	DATE <i>2/24/77</i>	TITLE
MATERIAL	PROF. <i>[Signature]</i>	DATE <i>5-MAY-77</i>	LSI-II PROCESSOR & KEVII-CA
SEE PARTS LIST	NEXT HIGHER ASSY.		
FINISH	B-DD-KDII-Q	SIZE CODE C UA	NUMBER KDII-Q-Ø
	SCALE NONE		
	SHEET 1 OF 1	DIST.	

SIZE CODE C UA
 NUMBER KDII-Q-Ø
 REV. B

NOTES:

- NOTES:
- ADJUST R14 SO THAT THE FREQUENCY MEASURED AT E57 PIN 6 IS 2.5MHZ MIN TO 2.631MHZ MAX. THE MODULE MAY BE OPERATED AT OTHER FREQUENCIES FOR TEST PURPOSE ONLY. SEE SHEET (K-9) MANUFACTURING ADJUSTS TO 2.591 MIN TO 2.631 MAX.
 - ADJUST R15 SO THAT THE REFRESH FREQUENCY MEASURED AT E70 PIN 8 IS 625 HZ ± 20HZ. SEE SHEET (K-9).
 - TIME DELAY FROM FALLING EDGE ON E51 PIN 9 TO FALLING EDGE ON E74 PIN 4 SHOULD BE 110 TO 140 NS. R7 MAY BE REMOVED TO INCREASE THE DELAY SLIGHTLY IF LESS THAN 110 NS IS MEASURED. SEE SHEET (K-9).
 - JUMPER FUNCTIONS AND CONFIGURATION ARE AS FOLLOWS:

JUMPER SELECT FEATURES			
JUMPER	SELECTION WHEN INSTALLED	OPT: ON	SHIPPING STATUS
			M7264 (REV E) -YA
W1	RESIDENT MEMORY BANK I	C.O.	R R
W2	RESIDENT MEMORY BANK B	C.O.	I R
W3	DISABLE EVENT LINE	C.O.	P R
W4	DISABLE MEMORY REFRESH	C.O.	R I
W5	POWER UP MODE SELECT	C.O.	R R
W6	POWER UP MODE SELECT	C.O.	R R
W7	BIASING VOLTAGE VDATA = VROM	F.O.	I I
W8	BIASING VOLTAGE VCTL = VROM	F.O.	I I
W9	DISABLE REPLY FROM RESIDENT MEMORY	F.O.	P I
W10	DISABLE REPLY DURING REFRESH	C.O.	R R
W11	ENABLE ON BOARD MEMORY SELECT	C.O.	I R

* INSTALLED IF RESIDENT RAM IS NOT THE SLOWEST REPLY IN THE SYSTEM.

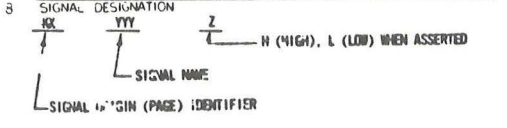
POWER-UP MODES		
MODE	JUMPERS	MODE SELECT
0	R P	PC AT 24 AND PS AT 26, OR HALT MODE
1	R I	ODT MICROCODE
2	I R	PC AT 173000 FOR USER BOOT STRAP
3	I I	MICRO ADDRESS 3002

I: INSTALLED C.O.: CUSTOMER OPTION
 R: REMOVED F.O.: FACTORY OPTION

5. COMPONENTS ARE NOT INSTALLED (RESERVED OPTION) UNLESS SPECIFICALLY INSTRUCTED.

6. DELETED FOR M7264-YA VERSION

M7264-AA	3.0VDD FOR LSI CHIP SET, 3.0VDD FOR MOSTEK OR IBM
M7264-YA	3.0VDD FOR LSI CHIP SET, NO ON BOARD RAM
M7264-AB	3.0VDD FOR LSI CHIP SET, 3.0VDD FOR INTEL OR IBM
M7264-AB	SAME AS M7264 EXCEPT E50, E63 & 70
M7264-YB	SAME AS M7264-YA EXCEPT E50, E63 & 70



9. ALTERNATE PARTS CHART

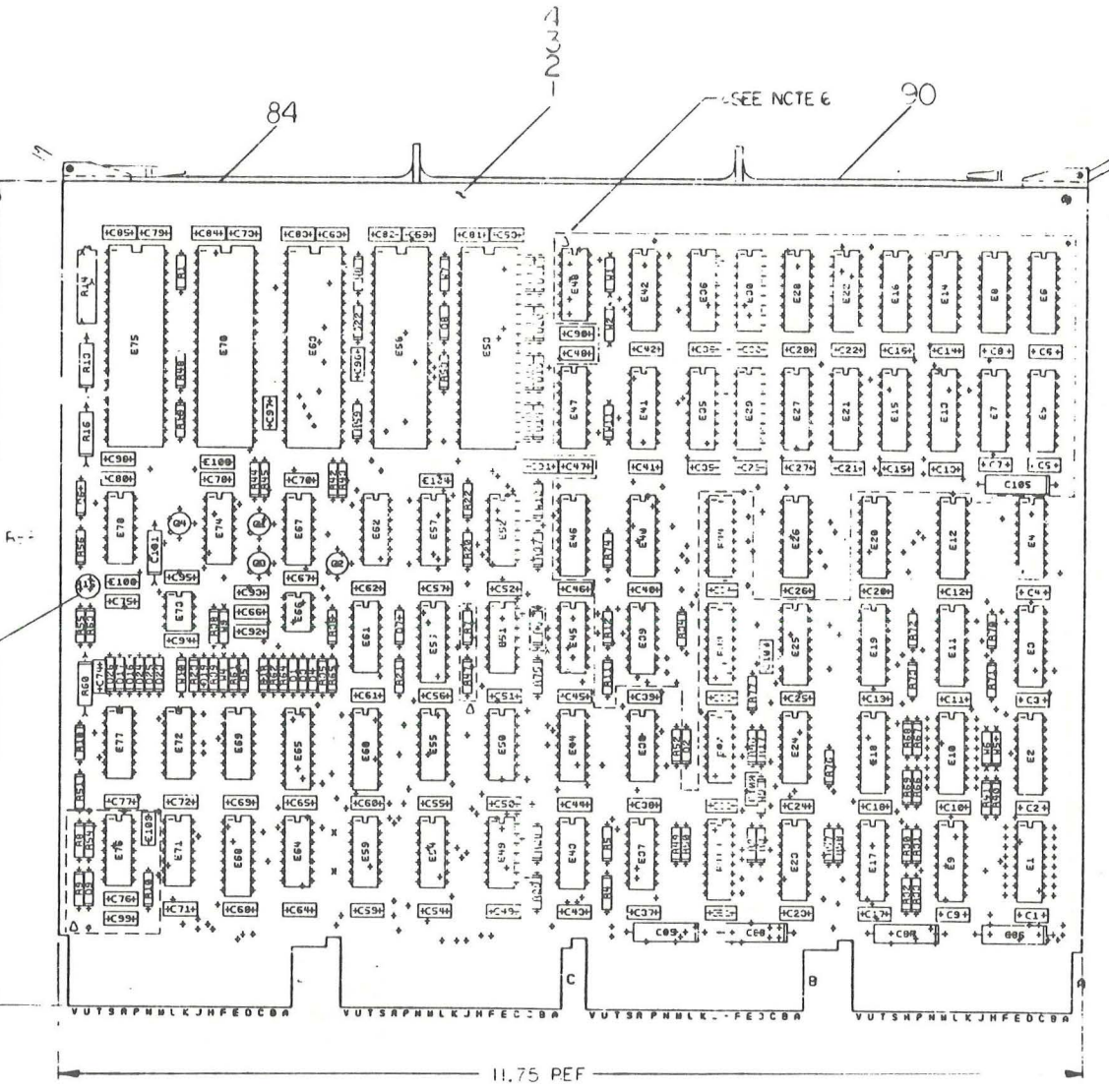
ITEM #	PREFERRED PART	ALTERNATE PART
6	1713113-01	7913826-00 AND -01
21, 22	1001610-00	1001610-01
9, 10	9009149-01	9009149

10. THE 2300266 IS AN ALLOWABLE SUBSTITUTION FOR THE 2300266 ON THE M7264-EB AND M7264-YB. THE 2300266 IS PREFERRED.

11. VARIATION CHART

VARIATION	DESCRIPTION
M7264-AA	M7264 OR M7264-AB, CB, DB, EB, FB, HB, JB
M7264	PROCESSOR W MOSTEK 4096
M7264-AB	PROCESSOR W INTEL 2104
M7264-BB	PROCESSOR W MOSTEK 4096 AND HYBRID MICROM
M7264-CB	PROCESSOR W FUJITSU 8224
M7264-DB	PROCESSOR W INTEL 2104A
M7264-EB	PROCESSOR W MOSTEK 4027
M7264-FB	PROCESSOR W DEC 4027
M7264-HB	PROCESSOR W MOTOROLA 4027
M7264-JB	PROCESSOR W FUJITSU 8227
M7264-YA	PROCESSOR W NO MOS RAM CS REV W OR LOWER
M7264-YB	PROCESSOR W NO MOS RAM AND HYBRID MICROM
M7264-YC	PROCESSOR W NO MOS RAM CS REV AA OR HIGHER

12. FOR VARIATIONS -BB AND YB ONLY, ADJUST R14 SO THAT THE FREQUENCY MEASURED AT E57, PIN 6 IS 2.490 MHZ MIN TO 2.490 MHZ MAX. FOR ALL OTHER VARIATIONS ADJUST R14 SO THAT THE FREQUENCY MEASURED AT E57, PIN 6 IS 2.591 MHZ MIN TO 2.631 MHZ MAX. SEE SHEET K-9. THE MODULE MAY BE OPERATED AT OTHER FREQUENCIES FOR TEST PURPOSES ONLY.



4K RAM	14	9	8
DEC M40026	3		
DEC 75322	7	14	
DEC 7497	8	16	
DEC 8641	8	16	
DEC 745257	8	16	
DEC 745174	8	16	
DEC 745140	7	14	
DEC 745139	8	16	
DEC 7475	12	5	
DEC 74574	7	14	
DEC 7474	7	14	
DEC 7442	8	16	
DEC 74511	7	14	
DEC 74510	7	14	
DEC 8837	8	16	
DEC 74505	7	14	
DEC 74504	7	14	
DEC 74500	7	14	
DEC 7400	7	14	

IC PIN LOCATIONS	QTY	REF. DESIGNATION	DESCRIPTION	PART NO.	ITEM NO.
D	1	R	BENNETT		
E	1	R	BENNETT		
F	1	R	BENNETT		
G	1	R	BENNETT		
H	1	R	BENNETT		
I	1	R	BENNETT		
J	1	R	BENNETT		
K	1	R	BENNETT		
L	1	R	BENNETT		
M	1	R	BENNETT		
N	1	R	BENNETT		
O	1	R	BENNETT		
P	1	R	BENNETT		
Q	1	R	BENNETT		
R	1	R	BENNETT		
S	1	R	BENNETT		
T	1	R	BENNETT		
U	1	R	BENNETT		
V	1	R	BENNETT		
W	1	R	BENNETT		
X	1	R	BENNETT		
Y	1	R	BENNETT		
Z	1	R	BENNETT		

NOTE: FOR PARTS LIST, SEE B-PL-M7264-0-0

SEMI-CONDUCTOR CONVERSION CHART

DEC NO.	EIA NO.	DEC NO.	EIA NO.

QTY	REF. DESIGNATION	DESCRIPTION	PART NO.	ITEM NO.

DATE	
CHK'D	
ENG	
PROJ ENG	
PROD	
NEXT HIGHER ASSY	

digital

TITLE: LSI-11 CPU MODULE

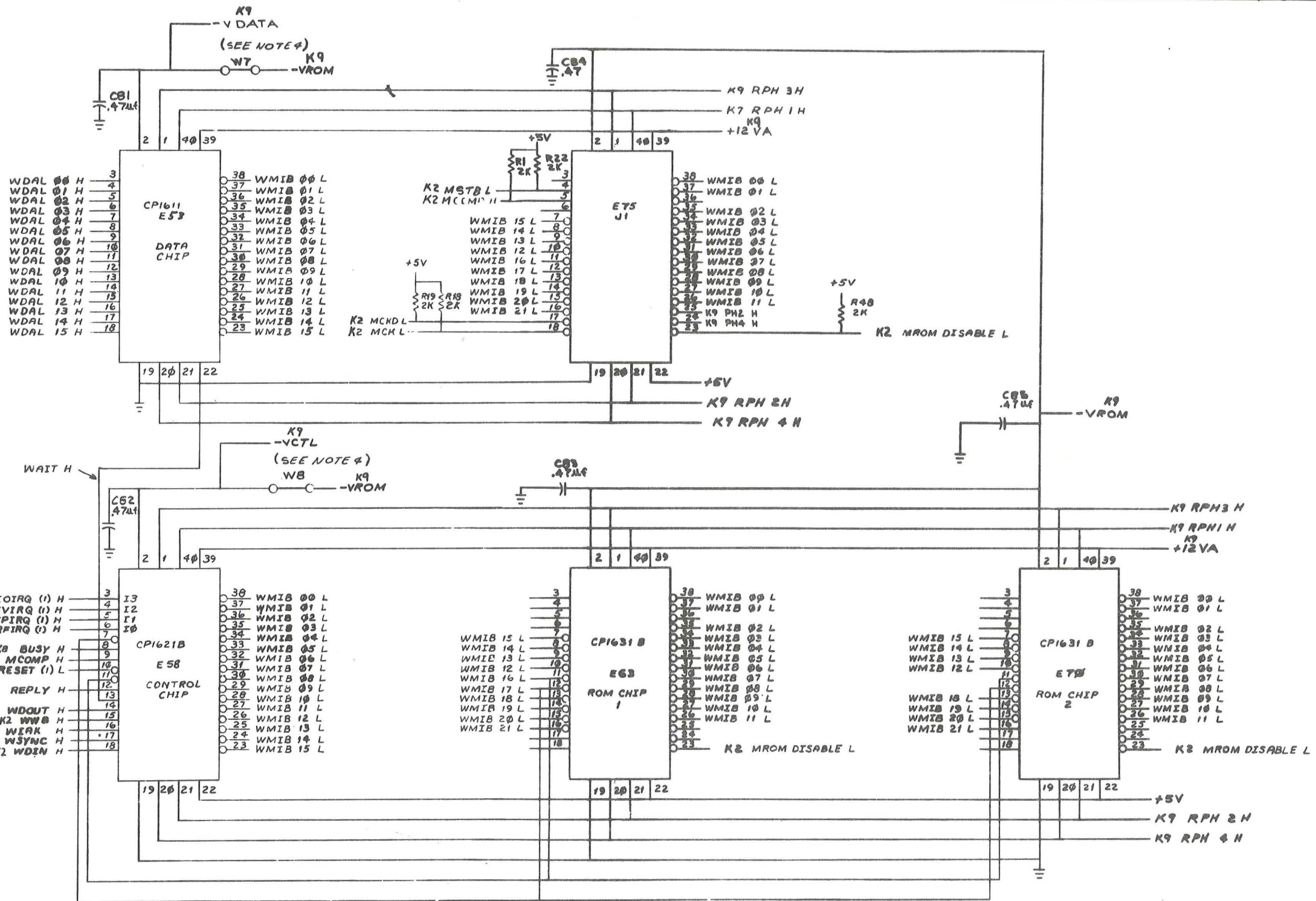
SIZE CODE: DCS M7264-0-1

NUMBER: AB

SHEET 1 OF 9

"THIS DRAWING AND SPECIFICATIONS HEREON ARE THE PROPERTY OF DIGITAL EQUIPMENT CORPORATION AND SHALL NOT BE REPRODUCED OR COPIED OR USED IN WHOLE OR IN PART AS THE BASIS FOR THE MANUFACTURE OR SALE OF ITEMS WITHOUT WRITTEN PERMISSION. COPYRIGHT © 1975 DIGITAL EQUIPMENT CORPORATION"

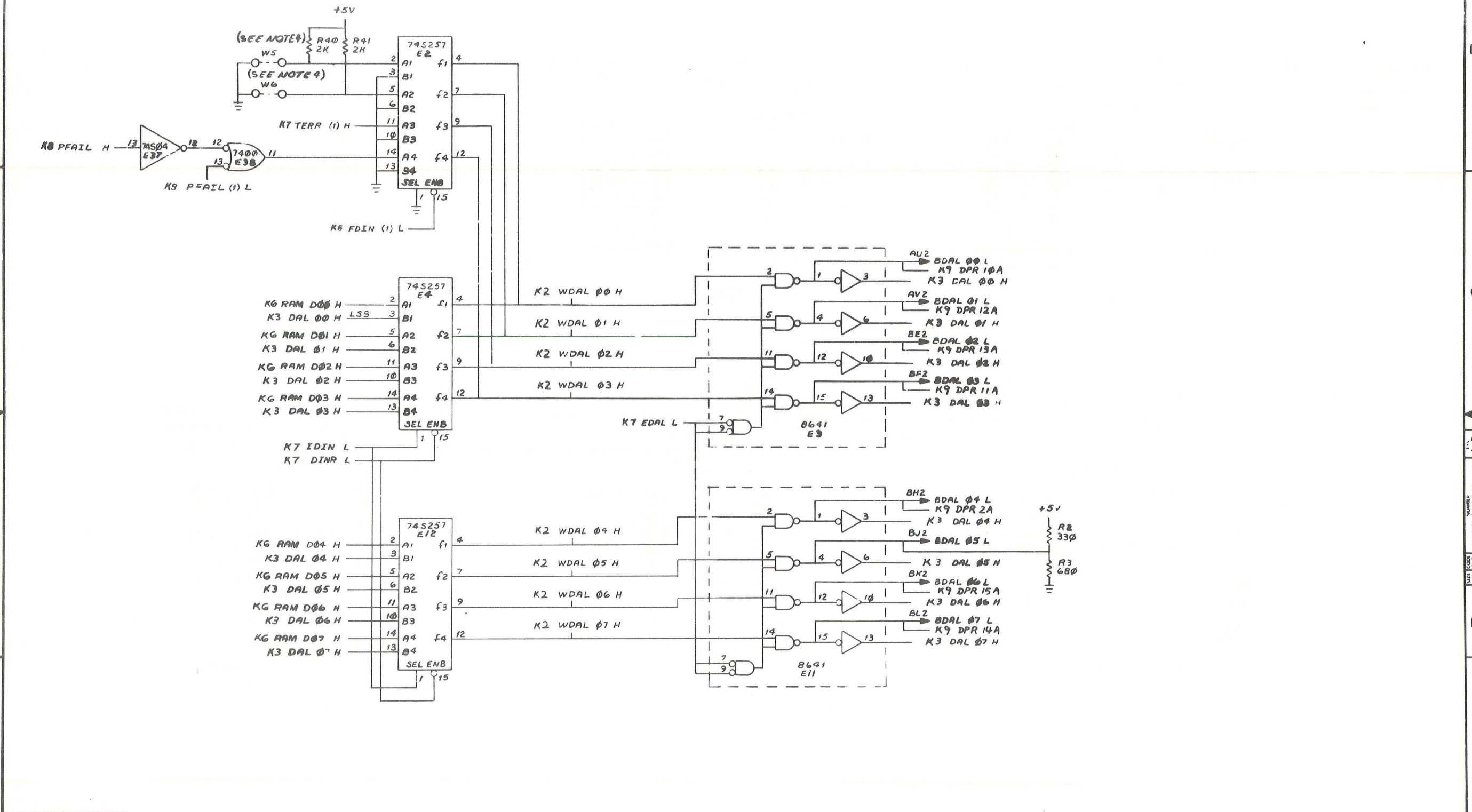
PREFIX "K2" APPLIES TO ALL WDAL WMIB SIGNALS



- K8 IOIRQ (1) H
- K8 EVIRQ (1) H
- K8 IPIRQ (1) H
- K8 RPIRQ (1) H
- K8 BUSY H
- K2 MCOMP H
- K8 RESET (1) L
- K7 REPLY H
- K2 WDOUT H
- K2 WWB H
- K2 WWRK H
- K2 WSYNC H
- K2 WDIRN H

REVISIONS		
CHK	CHANGE NO	REV

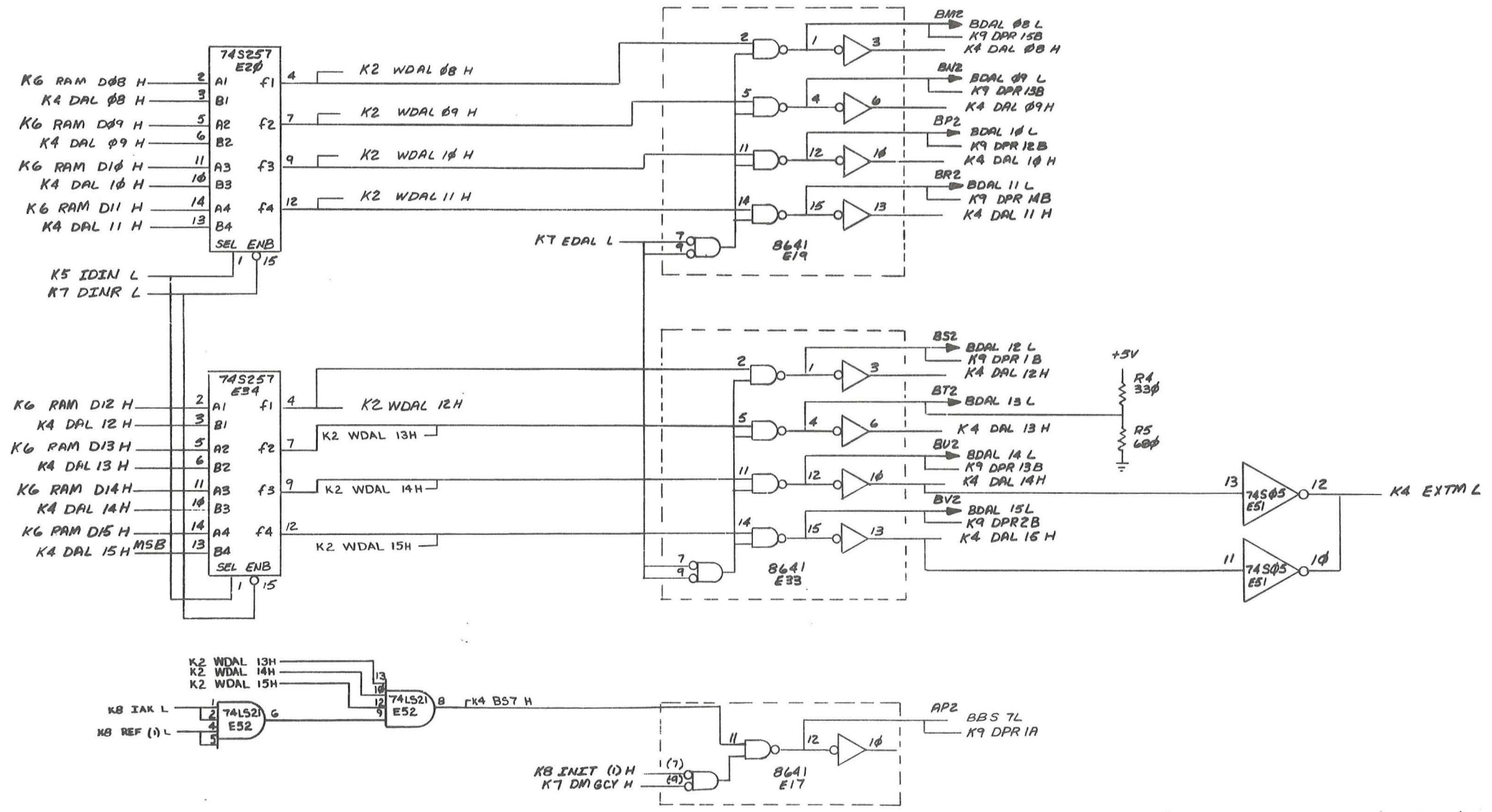
"THIS DRAWING AND SPECIFICATIONS, HEREIN, ARE THE PROPERTY OF DIGITAL EQUIPMENT CORPORATION AND SHALL NOT BE REPRODUCED OR COPIED OR USED IN WHOLE OR IN PART AS THE BASIS FOR THE MANUFACTURE OR SALE OF ITEMS WITHOUT WRITTEN PERMISSION. COPYRIGHT © 1975 DIGITAL EQUIPMENT CORPORATION"



REVISIONS		
CHK	CHANGE NO	REV

TITLE	LSI-II CPU MODULE (K3)	SIZE CODE	D CS	NUMBER	M7264-0-1	REV.	AB
SCALE	1/1	SHEET	3 OF 9	DIST.			

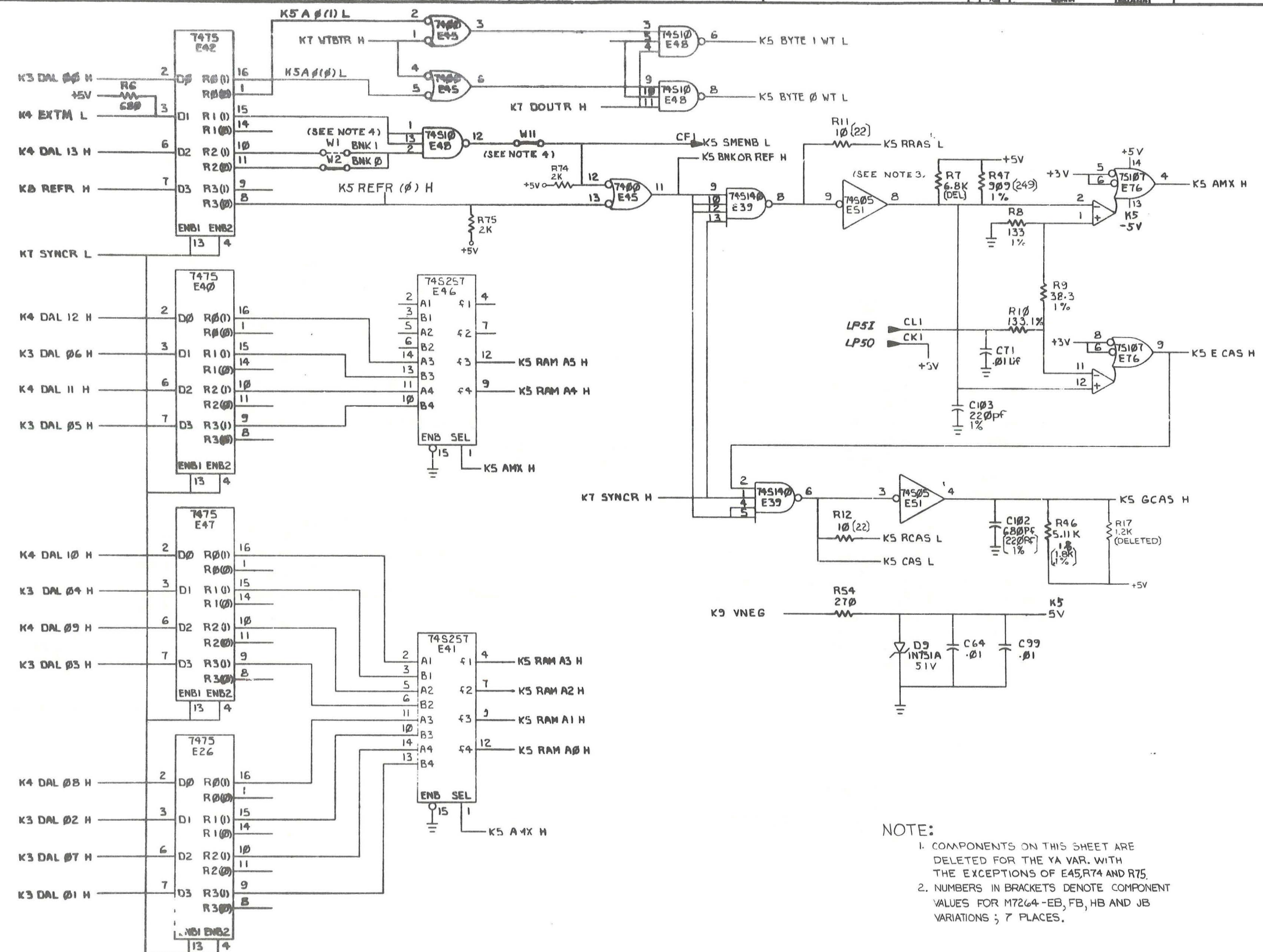
"THIS DRAWING AND SPECIFICATIONS HEREIN ARE THE PROPERTY OF DIGITAL EQUIPMENT CORPORATION AND SHALL NOT BE REPRODUCED OR COPIED IN WHOLE OR IN PART AS THE BASIS FOR THE MANUFACTURE OR SALE OF ITEMS WITHOUT WRITTEN PERMISSION. COPYRIGHT © 1975 DIGITAL EQUIPMENT CORPORATION"



REVISIONS		
CHK	CHANGE NO.	REV.

SIZE CODE NUMBER
 DCS M7264-0-1 AB

THIS SCHEMATIC AND SPECIFICATIONS ARE THE PROPERTY OF DCS. REPRODUCTION AND DISTRIBUTION OF THIS SCHEMATIC IS PROHIBITED WITHOUT THE WRITTEN CONSENT OF DCS.



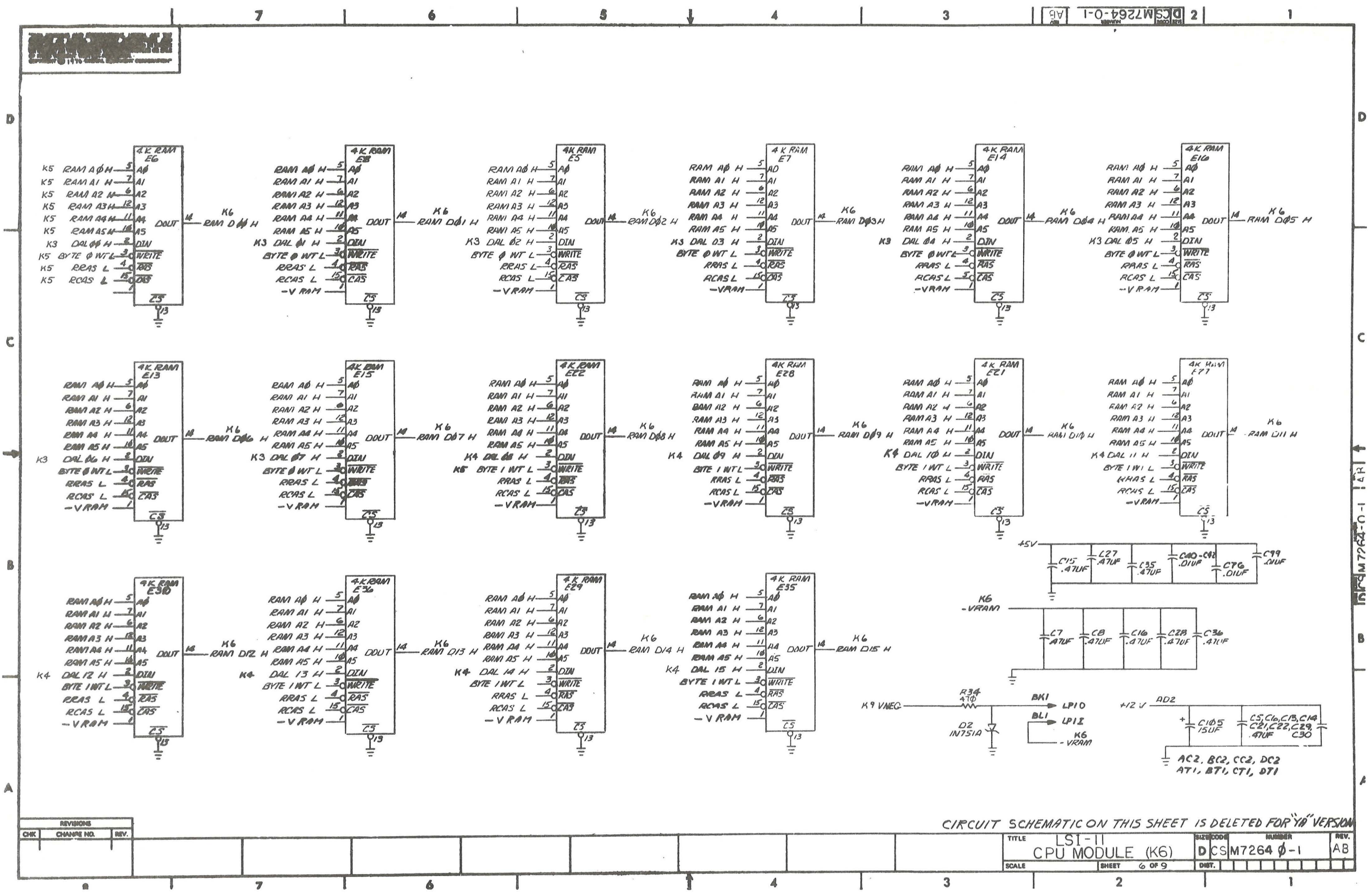
NOTE:
 1. COMPONENTS ON THIS SHEET ARE DELETED FOR THE YA VAR. WITH THE EXCEPTIONS OF E45, R74 AND R75.
 2. NUMBERS IN BRACKETS DENOTE COMPONENT VALUES FOR M7264-EB, FB, HB AND JB VARIATIONS ; 7 PLACES.

CIRCUIT SCHEMATIC ON THIS SHEET IS DELETED FOR "YA" VERSION

REV.	DATE	BY

TITLE	LSI-11 CPU MODULE (K5)	SIZE CODE	DCS	NUMBER	M7264-0-1	REV.	AB
SCALE	1:1	SHEET	5 OF 9	DWT.			

DCS M7264-0-1 AB

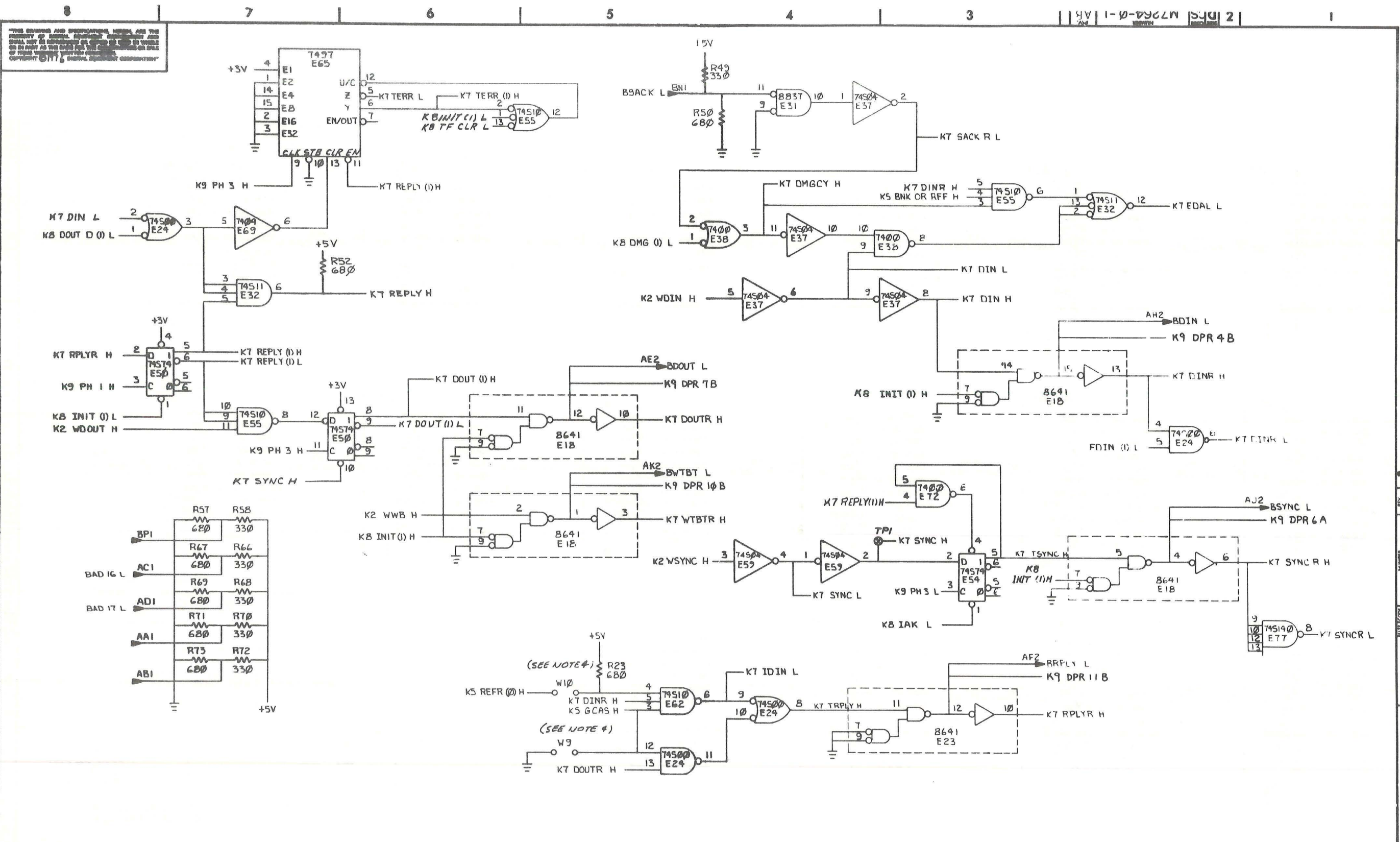


REVISIONS		
CHK	CHANGE NO.	REV.

CIRCUIT SCHEMATIC ON THIS SHEET IS DELETED FOR 'YB' VERSION

TITLE	LSI-11 CPU MODULE (K6)	SIZE CODE	D C S M 7 2 6 4 - 0 - 1	NUMBER	AB
SCALE	SHEET 6 OF 9	DNVT.			

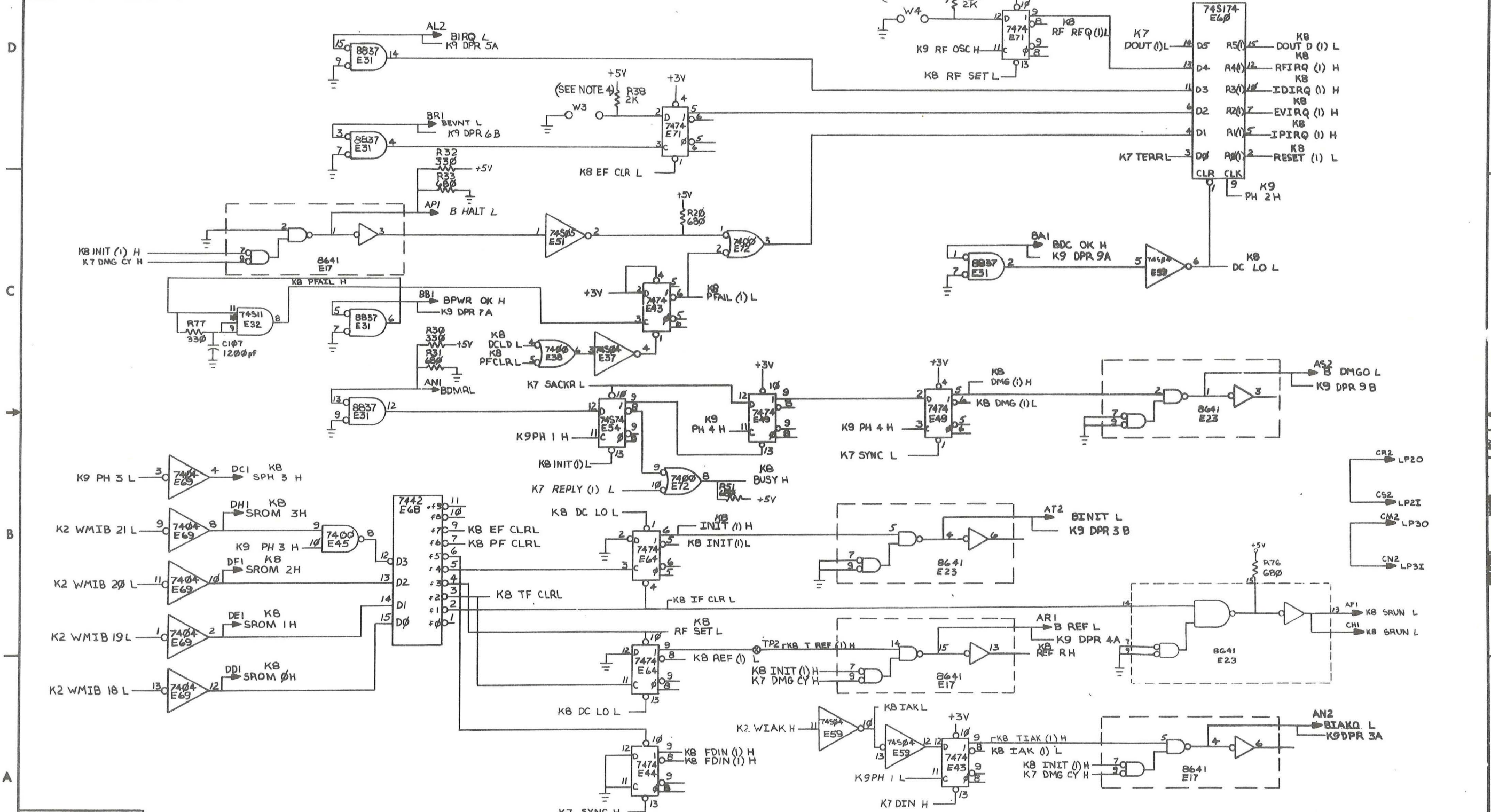
THIS DRAWING AND SPECIFICATIONS, HEREIN, ARE THE PROPERTY OF DIGITAL EQUIPMENT CORPORATION AND SHALL NOT BE REPRODUCED OR TRANSMITTED IN ANY FORM OR BY ANY MEANS, ELECTRONIC OR MECHANICAL, INCLUDING PHOTOCOPYING, RECORDING, OR BY ANY INFORMATION STORAGE AND RETRIEVAL SYSTEM, WITHOUT PERMISSION IN WRITING BY DIGITAL EQUIPMENT CORPORATION.



REVISIONS		
CHG.	CHANGE NO.	REV.

DCS M7264-0-1 AB

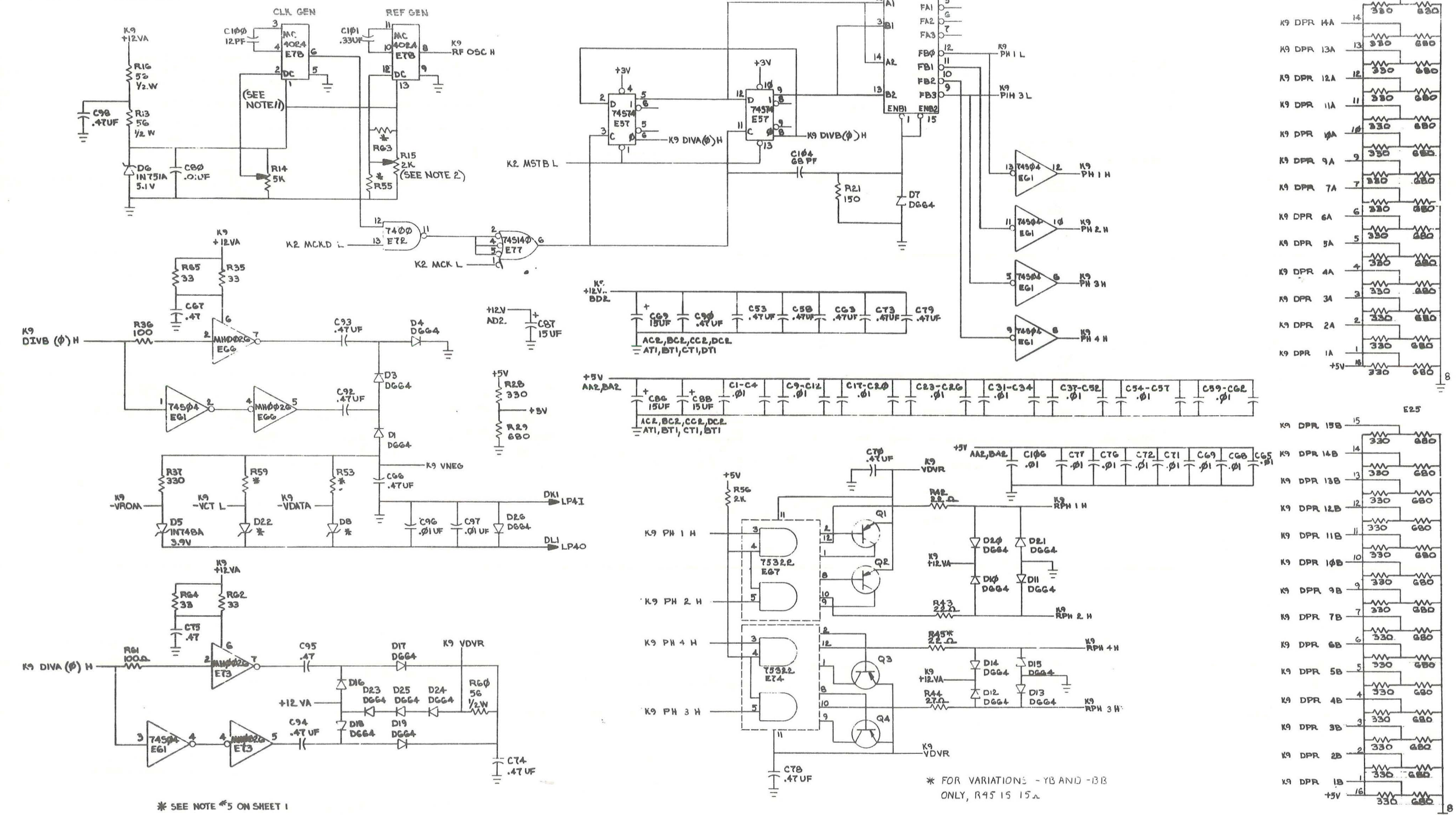
"THIS DRAWING AND SPECIFICATIONS, HEREIN, ARE THE PROPERTY OF DIGITAL EQUIPMENT CORPORATION AND SHALL NOT BE REPRODUCED OR COPIED OR USED IN WHOLE OR IN PART AS THE BASIS FOR THE MANUFACTURE OR SALE OF ITEMS WITHOUT WRITTEN PERMISSION. COPYRIGHT © 1977 DIGITAL EQUIPMENT CORPORATION"



REVISIONS			TITLE		DRAWING NO.		NUMBER		REV.	
CHK	CHANGE NO.	REV.	LSI-11		DCS M7264-0-1		8 OF 9		AB	

DCS M7264-0-1 AB

THIS DRAWING AND SPECIFICATIONS, HEREIN, ARE THE PROPERTY OF DIGITAL EQUIPMENT CORPORATION AND SHALL NOT BE REPRODUCED OR COPIED OR USED IN WHOLE OR IN PART AS THE BASIS FOR THE MANUFACTURE OR SALE OF ITEMS WITHOUT WRITTEN PERMISSION. COPYRIGHT © 1977 DIGITAL EQUIPMENT CORPORATION



REVISIONS		
CHK	CHANGE NO.	REV.

TITLE	LSI-II CPU MODULE (K9)	SIZE CODE	NUMBER	REV.
SCALE	7-7	D CS	M7264-0-1	AB
SHEET	9 OF 9	DIST.		

REV. NUMBER DCSIM 7264-0-1 AB

DIGITAL EQUIPMENT CORPORATION
MAYNARD, MASSACHUSETTS
PARTS LIST

MADE BY <i>R. Cook</i>	CHECKED <i>R. Cook</i>	SECTION
DATE <i>1 NOV 76</i>	DATE <i>1 NOV 76</i>	
ENG <i>Jy Phipps</i>	PROD <i>X Standard</i>	ISSUED SECT.
DATE <i>18 NOV 76</i>	DATE <i>18 NOV 76</i>	

QUANTITY / VARIATION

ITEM NO.	DWG NO. / PART NO.	DESCRIPTION	KEV11-CA	QUANTITY / VARIATION																
1	23-004B5	MICROM MOS CHIP	1																	
2	23-005B5	MICROM MOS CHIP	1																	

TITLE	MICROM DIBOL INST. OPTION	ASSY NO.	NONE	SIZE	A	CODE	PL	NUMBER	KEV11-C-0	REV.	ECO NO.
SHEET 1 OF 1				DIST.							

DIGITAL EQUIPMENT CORPORATION
MAYNARD, MASSACHUSETTS

PARTS LIST

MADE BY <i>R. Cook</i>	CHECKED <i>R. Cook</i>	SECTION
DATE <i>1 NOV 76</i>	DATE <i>1 NOV 76</i>	
ENG DATE <i>M Phipps 18 NOV 76</i>	PROD <i>X Standard</i>	ISSUED SECT.
	DATE <i>18 NOV 76</i>	

QUANTITY / VARIATION

ITEM NO.	DWG NO. / PART NO.	DESCRIPTION	KEV11-CA															
1	DEC11-DVKAB-A-PB	E19 TEST	*															
2	EK-KEV11-IP-001	INSTALLATION PROCEDURE KEV11	*															
3	AC-A0197A-MC	MD-11-DVAI-A-D	*															
4	AK-A0198A-MC	MD-11-DVKAI-A-PB	*															
5	AC-A0199A-MC	MD-11-DVKAJ-A-D	*															
6	AK-A781A-MC	MD-11-DVKAJ-A-PB	*															
		*NOTE: THESE ITEMS ARE SHIPPED WITH FIRST SHIP TO CUSTOMER																

TITLE	ASSY NO.	SIZE	CODE	NUMBER	REV	ECO NO.
SHIPPING LIST - KEV11-CA	<i>H</i>	A	PL	KEV11-C-1	A	KDI IP-00001
SHEET 1 OF 1		DIST				

**DIGITAL EQUIPMENT CORPORATION
MAYNARD, MASSACHUSETTS
PARTS LIST**

MADE BY <i>R. Cook</i>	CHECKED <i>R. Cook</i>	SECTION 1
DATE 23 MAR 77	DATE 23 MAR 77	
ENG M1 <i>Pluff</i>	PROD <i>[Signature]</i>	ISSUED SECT. 1
DATE 23 MAR 77	DATE 5 APR 77	

QUANTITY VARIATION

ITEM NO.	DWG NO./PART NO.	DESCRIPTION	KD11-Q																	
1	MP-000357	CUSTOMER PRINT SET KD11-Q	1																	
2	EK-KEV11-1P-001	INSTALLATION PROCEDURE KEV11	*																	
		*SHIP WITH FIRST SHIP TO CUSTOMER.																		

TITLE SHIPPING LIST KD11-Q	ASSY NO.	SIZE A	CODE PL	NUMBER KD11-Q-2	REV	ECO NO.
	SHEET 1 OF 1	DIST				

